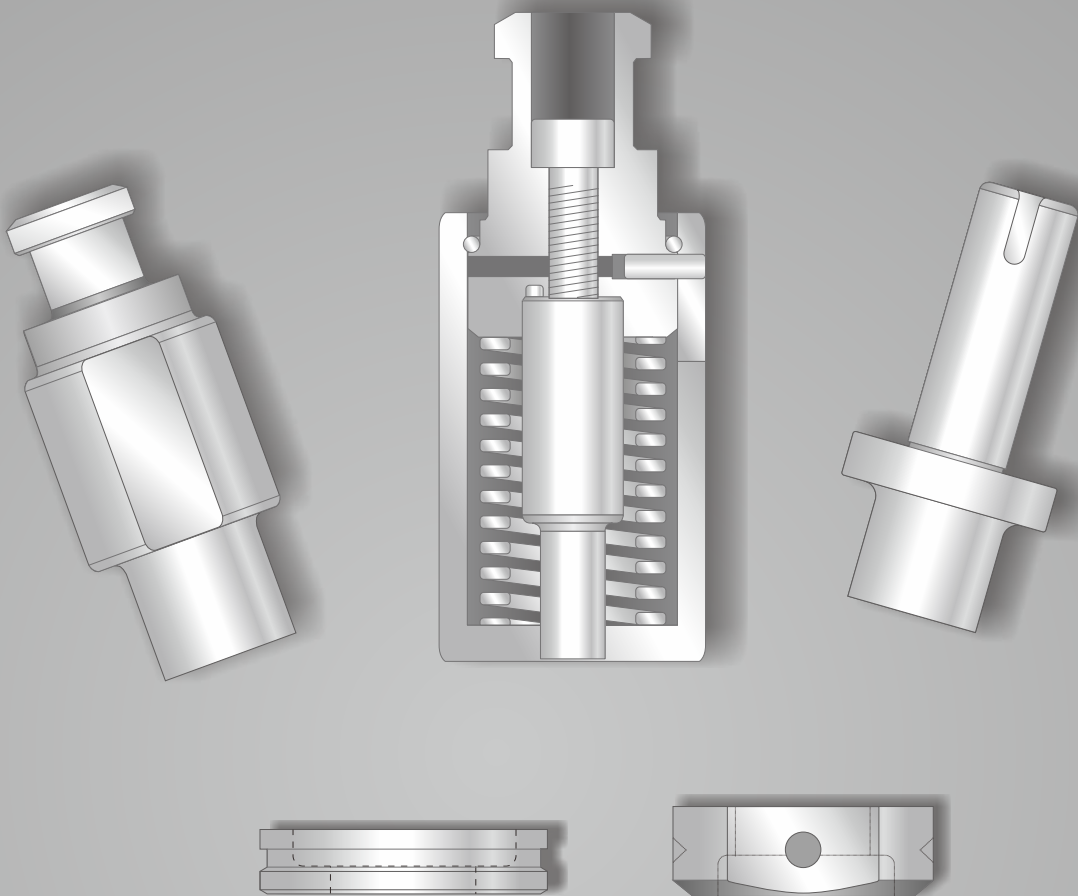
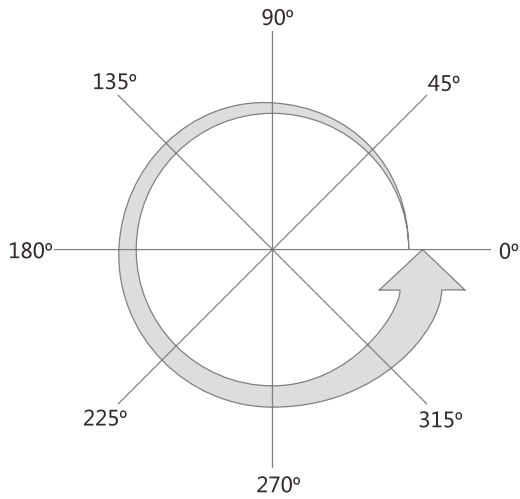




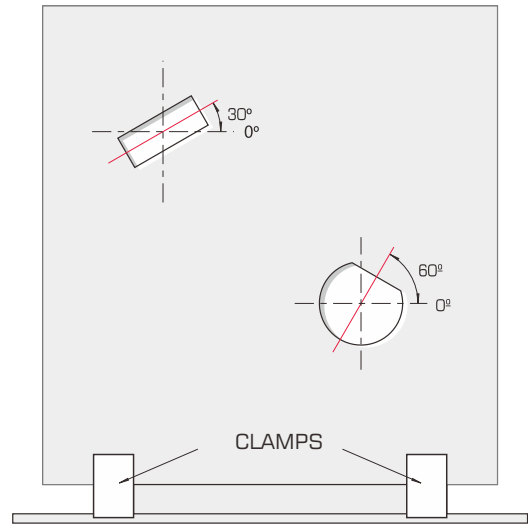
SALVAGNINI TOOLING



AFAB MACHINERY AND TOOLS LTD



SHAPE ANGLE DIRECTION



SHAPE POSITION AT SHEET METAL FROM TOP OF MACHINE

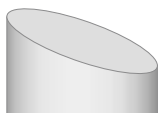
SHAPE ANGLE AT 0°



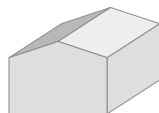
SHAPE ANGLE AT 90°



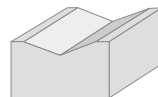
PUNCH TIP TYPE



Whisper



Rooftop



Inverted Rooftop



4 way concave



2 way concave

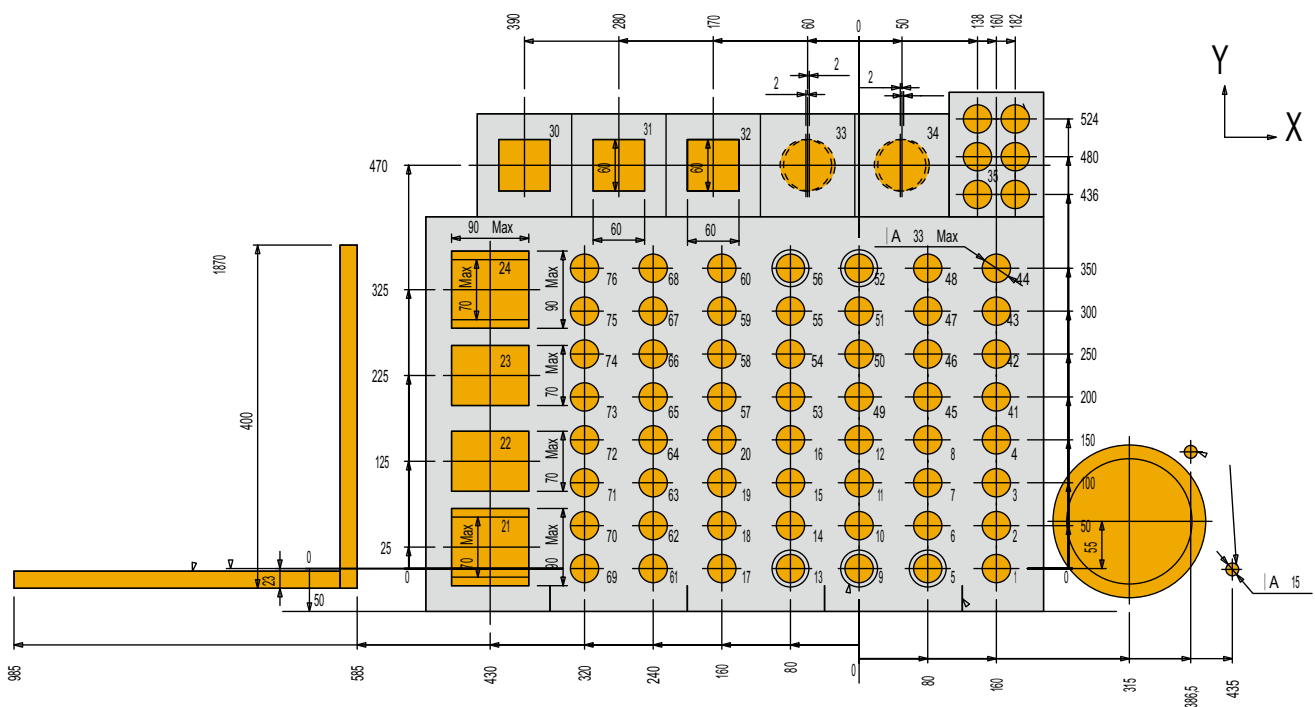


Cup concave

TECHNICAL INFORMATION

POSITION	TYPE	STATION	MAX SIZE	REMARK
1-20,41-76 7 tons	P0	33mm	10mm	Fully Guided
	P3	33mm	26mm	90° Rotation
30-35 12tons	P5	60mm	42.5mm	Continous Ro.
	S6	60mm	60mm	180° Rotation
1-20,41-76 7 tons	P9	33mm	26.5mm	Fully Guided
	S4	33mm	33mm	90° Rotation
21-24 26tons	S8	70x90	70x90mm	Type70

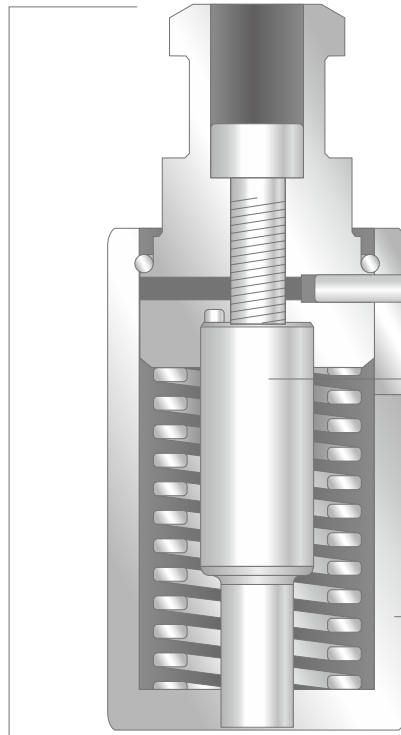
H3 HEAD LAYOUT



PO System, Position 1-20,41-76, 70 KN(33mm),Max. Size 10mm

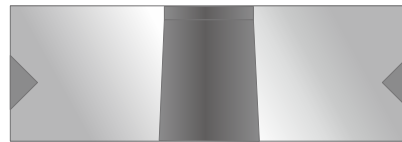
AFAAB SALWAGNINI TOOL

Punch Ass'y
Round: SPO-PARO
Shape: SPO-PA**



Punch Body
Round: SPO-PBRO
Shape: SPO-PB**

Blank Holder
Round: SPO-GURO
Shape: SPO-GU**



Die
Round: SPO-DIRO
Shape: SPO-DI**

H3 HEAD

	30	31	32	33	34	35	
24 90 x 90	76	68	60	56	52	48	44
	75	67	59	55	51	47	43
23 70 x 90	74	66	58	54	50	46	42
	73	65	57	53	49	45	41
22 70 x 90	72	64	20	16	12	8	4
	71	63	19	15	11	7	3
21 90 x 90	70	62	18	14	10	6	2
	69	61	17	13	9	5	1

HEAD POSITIONS
1-20, 41-76 7 TON

*Ma size:10mm, Max tonnage: 70KN

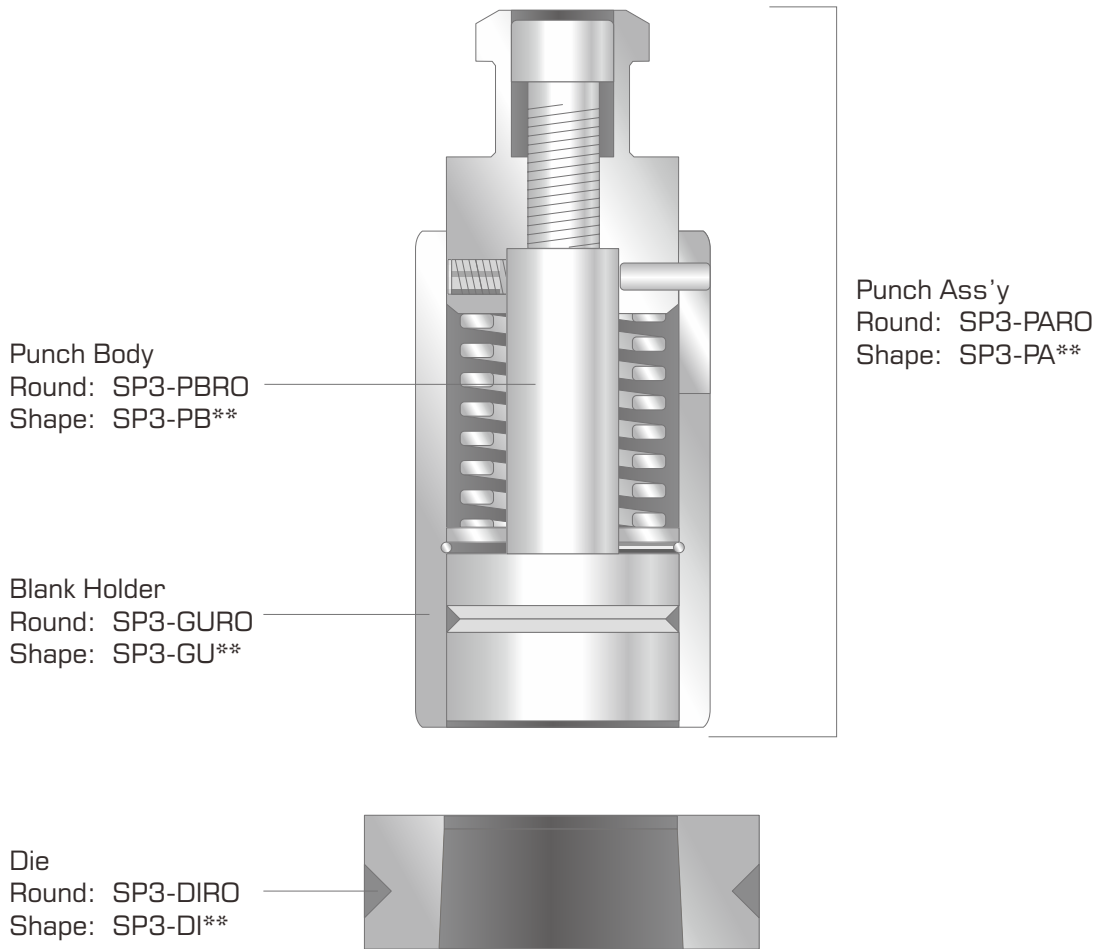
*Material thickness to punch: 0.5mm--3.5mm

*Punch Length: 42mm, Die Length:15mm

*Punch Grinding life: 1.5mm, Die Grinding life:1.2mm

2

P3 System, Position 1-20,41-76, 70 KN(33mm),Max. Size 26mm



H3 HEAD

	30	31	32	33	34	35	
24 90 x 90	76	68	60	56	52	48	44
	75	67	59	55	51	47	43
23 70 x 90	74	66	58	54	50	46	42
	73	65	57	53	49	45	41
22 70 x 90	72	64	20	16	12	8	4
	71	63	19	15	11	7	3
21 90 x 90	70	62	18	14	10	6	2
	69	61	17	13	9	5	1

HEAD POSITIONS

1-20, 41-76 7 TON

*Ma size:26mm, Max tonnage: 70KN

*Material thickness to punch: 0.5mm--3mm

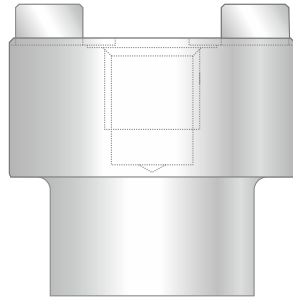
*Punch Length: 52.7mm, Die Length: 15mm

*Punch Grinding life: 1.5mm, Die Grinding life: 1.2mm

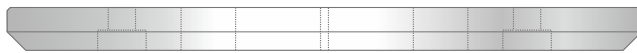
AFAB SALVAGNINI TOOLS

P5 System, Position 30-35, 120 KN(60mm),Max. Size 42.4mm

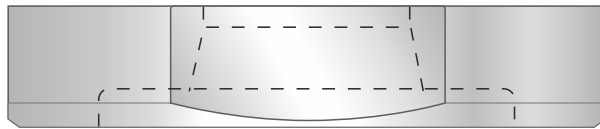
AFAB SALVAGNINI TOOL



Punch Body
Round: SP5-PBRO
Shape: SP5-PB**



Stripper
Round: SP5-GURO
Shape: SP5-GU**



Die
Round: SP5-DIRO
Shape: SP5-DI**

H3 HEAD

	30	31	32	33	34	35	
24 90 x 90	76	68	60	56	52	48	44
	75	67	59	55	51	47	43
23 70 x 90	74	66	58	54	50	46	42
	73	65	57	53	49	45	41
22 70 x 90	72	64	20	16	12	8	4
	71	63	19	15	11	7	3
21 90 x 90	70	62	18	14	10	6	2
	69	61	17	13	9	5	1

HEAD POSITIONS
30-35 12 TON

*Ma size:42.4mm, Max tonnage: 12KN

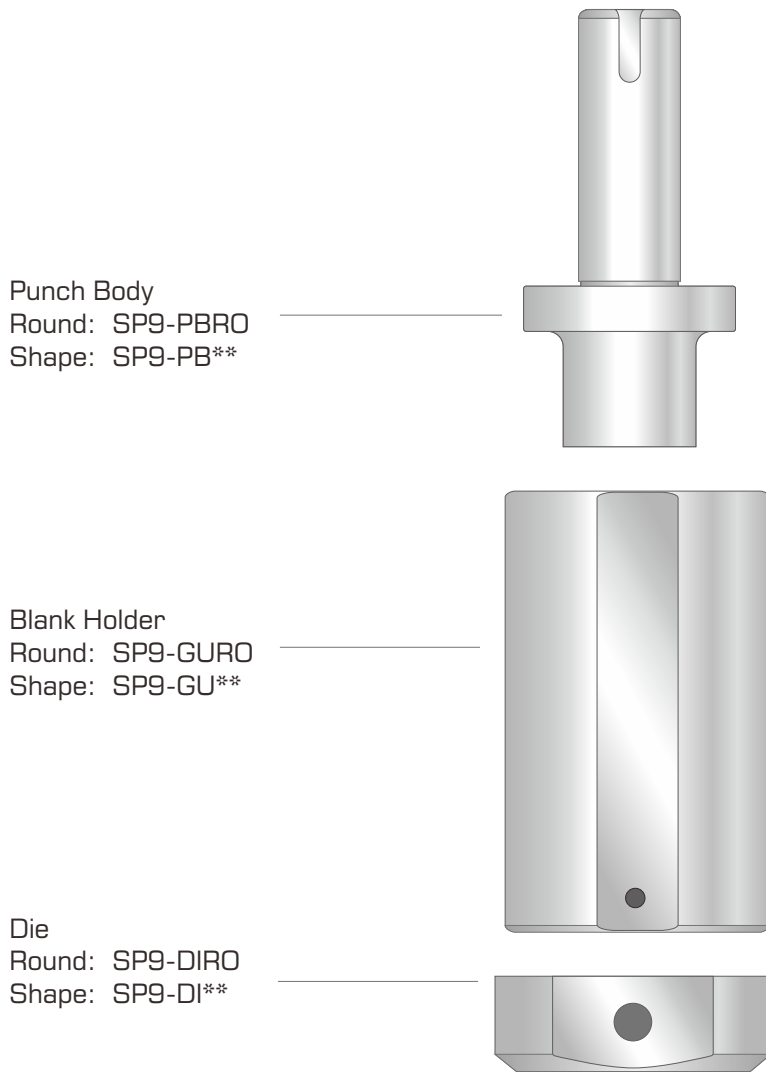
*Material thickness to punch: 0.5mm--3mm

*Punch Length: 43mm, Die Length: 18mm

*Punch Grinding life: 1.5mm, Die Grinding life: 1.2mm

4

P9 System, Position 1-20,41-76, 70 KN(33mm),Max. Size 26.5mm



H3 HEAD

	30	31	32	33	34	35	
24 90 x 90	76	68	60	56	52	48	44
	75	67	59	55	51	47	43
23 70 x 90	74	66	58	54	50	46	42
	73	65	57	53	49	45	41
22 70 x 90	72	64	20	16	12	8	4
	71	63	19	15	11	7	3
21 90 x 90	70	62	18	14	10	6	2
	69	61	17	13	9	5	1

HEAD POSITIONS

1-20, 41-76 7 TON

*Ma size:26.5mm, Max tonnage: 70KN

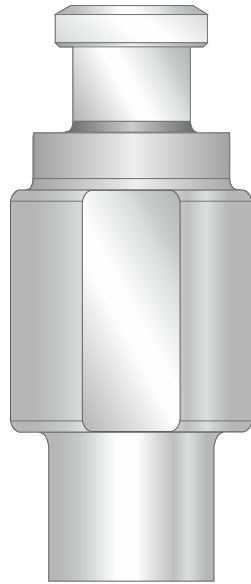
*Material thickness to punch: 0.5mm--3mm

*Punch Length: 52.7mm, Die Length:15mm

*Punch Grinding life: 1.5mm, Die Grinding life:1.2mm

S4 System, Position 1-20,41-76, 70 KN(33mm),Max. Size 33mm

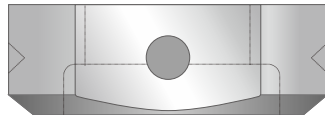
AFAAB SALVAGNINI TOOLS



Punch Body
Round: SS4-PBRO
Shape: SS4-PB**



Stripper
Round: SS4-GURO
Shape: SS4-GU**



Die
Round: SS4-DIRO
Shape: SS4-DI**

H3 HEAD

	30	31	32	33	34	35	
24 90 x 90	76	68	60	56	52	48	44
	75	67	59	55	51	47	43
23 70 x 90	74	66	58	54	50	46	42
	73	65	57	53	49	45	41
22 70 x 90	72	64	20	16	12	8	4
	71	63	19	15	11	7	3
21 90 x 90	70	62	18	14	10	6	2
	69	61	17	13	9	5	1

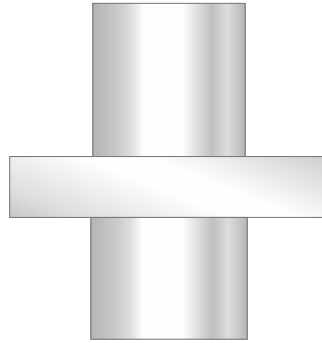
HEAD POSITIONS
1-20,41-76, 7 TON

- *Ma size:33mm, Max tonnage: 70KN
- *Material thickness to punch: 0.5mm--3.5mm
- *Punch Length: 81.5mm, Die Length:15mm
- *Punch Grinding life: 2mm, Die Grinding life:1.2mm

6

S6 System, Position 30-35, 120 KN(60mm),Max. Size 60mm

Punch Body
Round: SS6-PBRO
Shape: SS6-PB**



Blank Holder
Round: SS6-GURO
Shape: SS6-GU**



Die
Round: SS6-DIRO
Shape: SS6-DI**



H3 HEAD

	30	31	32	33	34	35
24 90 x 90	76	68	60	56	52	48
	75	67	59	55	51	47
23 70 x 90	74	66	58	54	50	46
	73	65	57	53	49	45
22 70 x 90	72	64	20	16	12	8
	71	63	19	15	11	7
21 90 x 90	70	62	18	14	10	6
	69	61	17	13	9	5

HEAD POSITIONS
30-35 12 TON

*Ma size:60mm, Max tonnage: 120KN

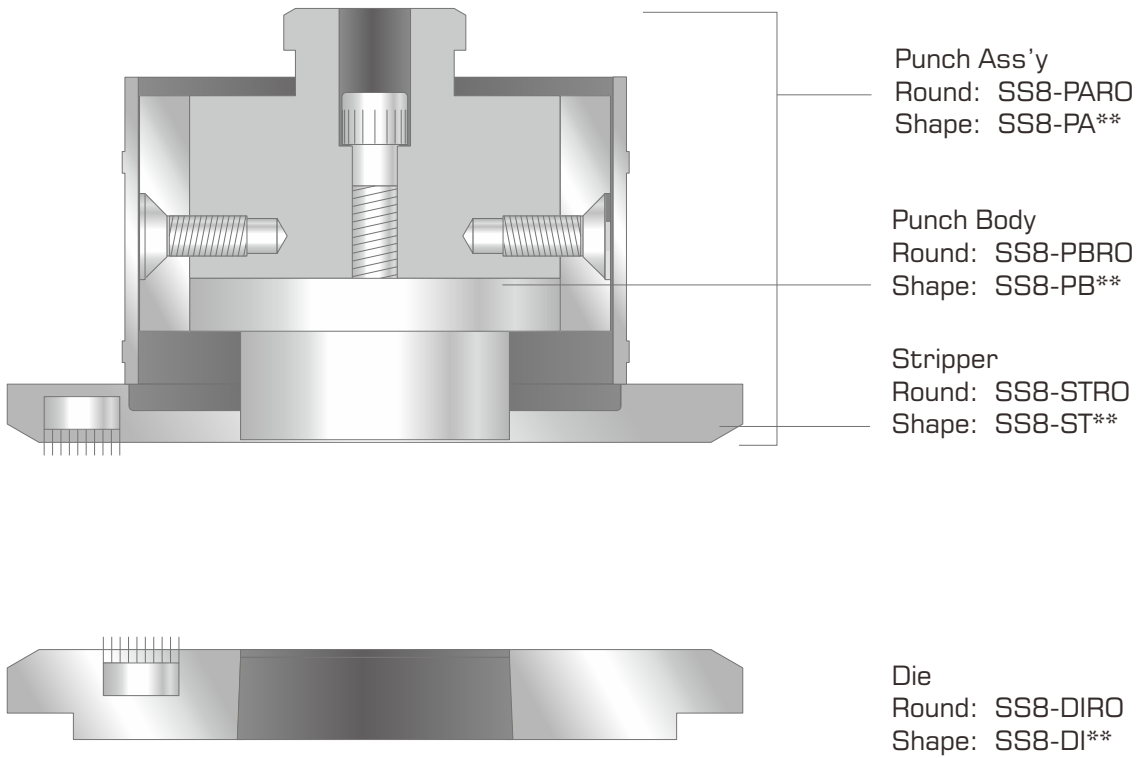
*Material thickness to punch: 0.5mm--3.5mm

*Punch Length: 44mm, Die Length:15mm

*Punch Grinding life: 2mm, Die Grinding life:1.2mm

S8 System, Position 21-24, 260 KN, Max. Size 70X90mm

AFAAB SALWAGNINI TOOL



70 Type

	30	31	32	33	34	35	
24 70 x 90	76	68	60	56	52	48	44
	75	67	59	55	51	47	43
23 70 x 90	74	66	58	54	50	46	42
	73	65	57	53	49	45	41
22 70 x 90	72	64	20	16	12	8	4
	71	63	19	15	11	7	3
21 70 x 90	70	62	18	14	10	6	2
	69	61	17	13	9	5	1

HEAD POSITIONS
21-24, 26 TON

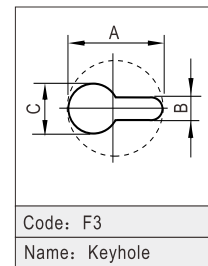
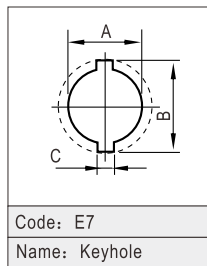
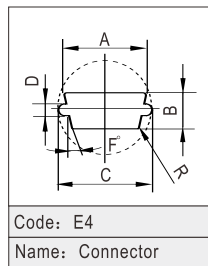
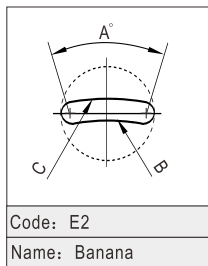
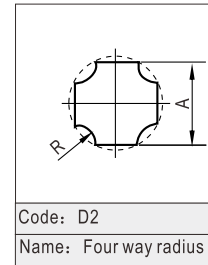
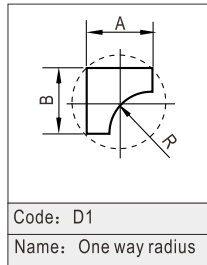
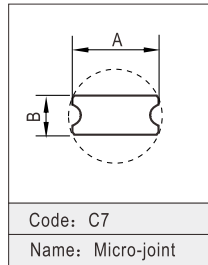
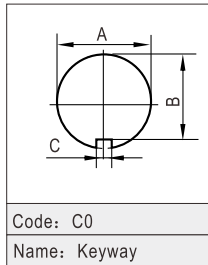
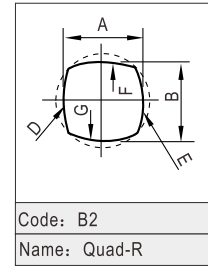
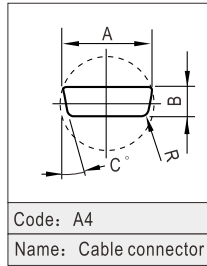
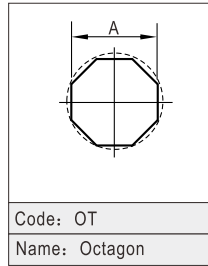
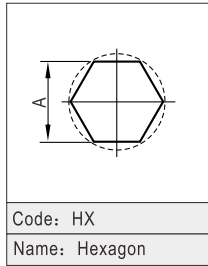
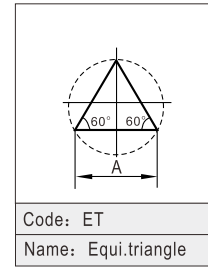
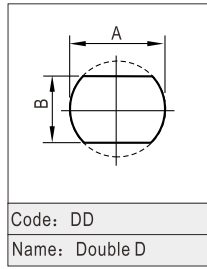
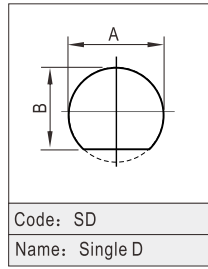
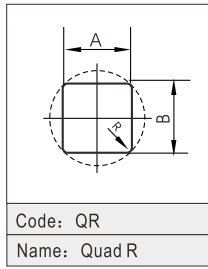
*Ma size: 70X90mm, Max tonnage: 260KN

*Material thickness to punch: 0.5mm--3.5mm

*Punch Length: 30mm, Die Length: 17mm

*Punch Grinding life: 2mm, Die Grinding life: 1.2mm

SPECIAL SHAPES



PUNCH DIE GRINDER

Punch die grinder specification.



Grinding accuracy: + -0.005mm	Tool setting mode: Automatic
Grinding mode: Automatic	Grinding type: Rough, Precision, Polishing
Wheel: Boronizing wheel	Grinding area: 150mm
3-jaw chuck fixture Dia. 1-180mm	Max. feed speed: 900mm/min (adjustable)
PLC controller: Mitsubishi	Screen: Touch screen Interface
Spindle motor: 2.2KW ,3600R/PM	Motor for rotating table: 0.375KW, 1800R/PM
Motor for cooling :0.125KW, 1800R/PM	Electrical: AC380/400V (50/60 HZ)
Size: 600x700x1650mm	Weight: 600KG

AFAB SALWAGNINI TOOL

AFAB TOOLING

AFAB MACHINERY AND TOOLS LTD.
Email:export@afabmt.com
webite:www.afabmt.com